

JV Series

(Jump Vane)



Vane pump



Application areas

Wide range of products from liquids to viscous fluids.



Food industry

Cocoa mass transfert, chocolate, etc.



Hydrocarbons

Pumping of fuel, oil, etc.



Chemical industry

Acids, solvents, glues, etc.



Wine industry

Unloading trucks, etc.

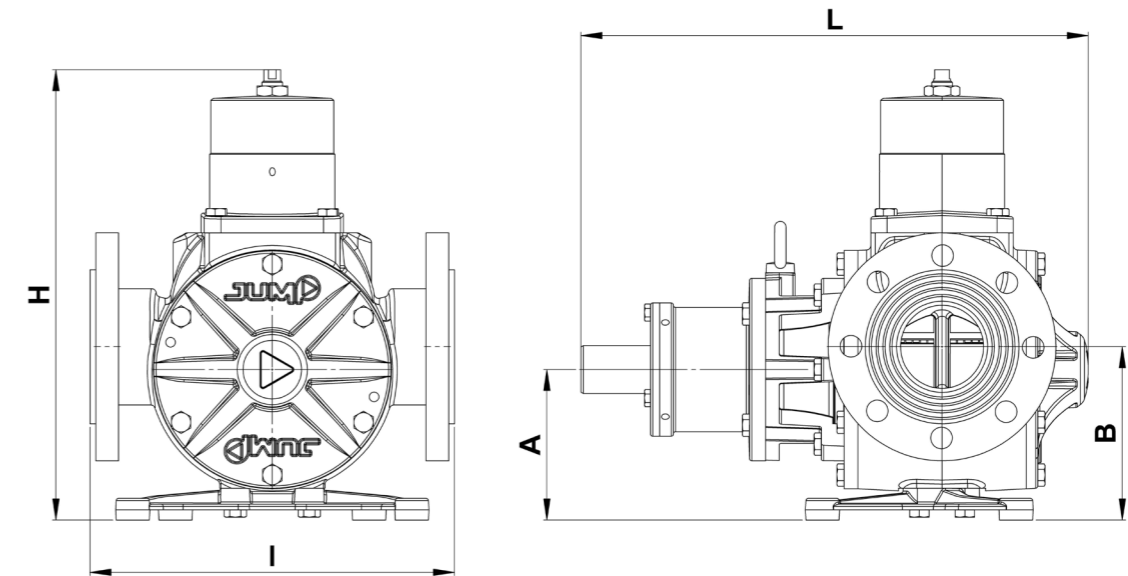
Operation principle

The vane pump is composed of a body, called stator, and of a rotor driven in rotation and eccentrically mounted within the stator. Integral with the rotor, the vanes can slide and are maintained permanently in contact with the inside of the stator thanks to centrifugal force and under certain conditions thanks to pushrods. The rotation of the rotor drives the liquid transfer.

Characteristics

		JV15	JV25	JV40	JV60	JV100
Pumping technology		Vanes				
Sealing technology		Mechanical seal DIN 24 960 (EN 12 756)				
Cylinder capacity	L	0,25	0,42	0,67	1	1,67
Speed (max.)	Rpm	1000	1000	1000	1000	1000
Flowrate (max.)	m3/h	15	25	40	60	100
Differential pressure (max.)	bar	12				
Minimum operating temperature	°C	-10				
Maximum operating temperature	°C	250				
Weight	Kg	52	51	74	92	138
Dimensions	mm L	407	407	445	502	595
	I	250	250	320	360	400
	H	365	365	412	454	473
	A	112	112	132	160	180
	B	125	125	152	185	210
DN		65	65	80	100	125
ATEX		Yes				

Dimensions



Materials

	JVc «ductile iron»	JVs «316L Stainless steel»
Rotor	Ductile iron	316L Stainless steel
Vanes	Ductile iron	PEEK (option bronze,...)
Body / Front cover / Foot / Bypass / Shaft	Ductile iron, Steel	316L Stainless steel
Bearings	Carbon (option bronze, ductile iron, PEEK,...)	
Seals	FKM (option FEP/FKM, EPDM...)	
Screws	Steel	316L Stainless steel

Options

- Fitting flanges ISO PN16 or PN20, Clamp, SMS, MACON, RJT, CAM-Lock, DIN, threaded...
- Heating jacket
- With or without bypass
- Mechanical seal Jump or other brands

Illustrations

The
+

Self-priming

Reversible

Dry-run capabilities

Strong suction and
compression power

Reduced maintenance
time thanks to innovative
disassembly system of the
seal from the front without
uncoupling the gear motor
and piping

Mechanical seal DIN 24 960
(EN 12 756)



Pumping unit
JV40c



JV15c bare shaft pumps